



CMF manufacturers **EzLok 1.5** in 30 different Kynar 500 or Hylar 5000 PVDF standard and premium finishes as well as Galvalume Plus.

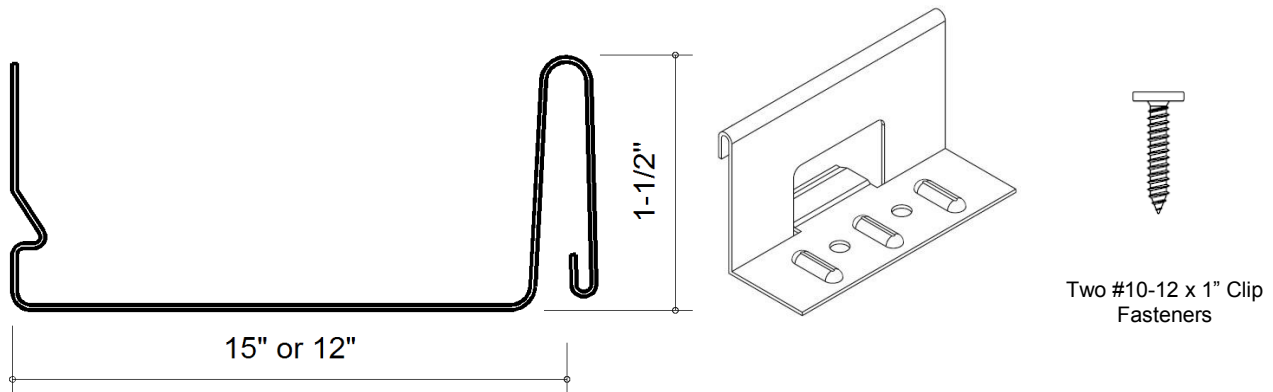
FLORIDA HVHZ APPROVED!

EzLok 1.5

Florida Product Approval Number:
FL8695

NOTE: Panel system may require additional fasteners for some HVHZ wind loads. Please refer to Florida Product Approval Load Tables for this information.

Panels are available in 15 and 12 inches widths; with and without striations or beads



Fastener Spacing Table:

Buildings having a mean height of less than or equal to 20'-0"; roof slope 3:12 to 12:12 wind speeds 110 to 140 m.p.h., exposure C, importance factor of 1.0 based on FLORIDA BUILDING CODE 2004.

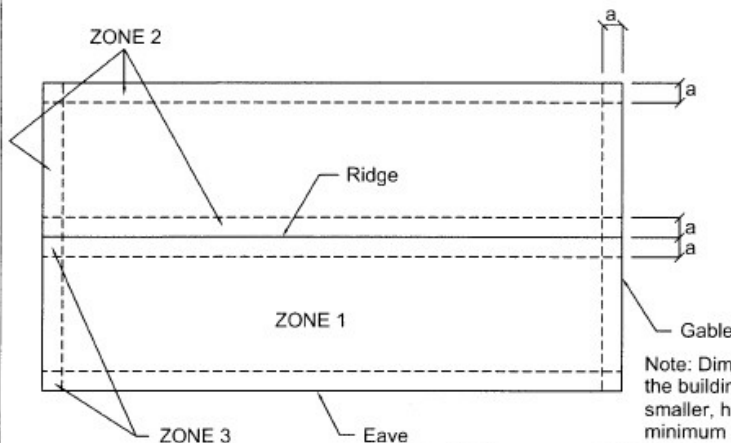
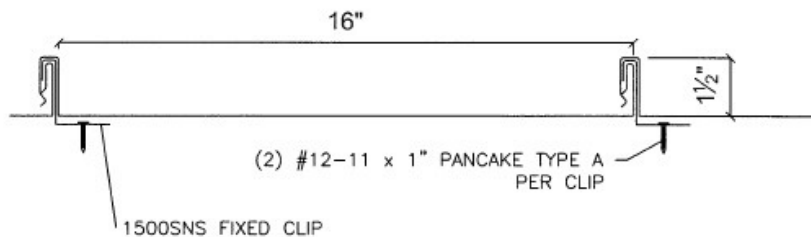
EzLok 1.5

1.5" SNAP LOCK 24 GA., 16" WIDE LOAD TABLE OVER 15/32" PLYWOOD

Buildings having a Roof Mean Height \leq 20'-0"; Roof Slope: 3"/12" -12"/12"
Wind Speeds 120-146 mph, Exp C, I = 1.0, based on FLORIDA BUILDING CODE 2004

1.5" 24 GA. SNAP LOCK, 16" WIDE, CLIP SPACING						
ZONE	FASTENER	SUBSTRATE	WIND SPEED ZONE			
			120 ON CENTER SPACING	130 ON CENTER SPACING	140 ON CENTER SPACING	146 ON CENTER SPACING
ZONE 1	(2) #12-11 x 1"	15/32" CDX PLYWOOD	24"	24"	24"	24"
ZONE 2	(2) #12-11 x 1"	15/32" CDX PLYWOOD	12"	12"	12"	12"
ZONE 3	(2) #12-11 x 1"	15/32" CDX PLYWOOD	12"	12"	6"	6"

- 1) **PANEL DESCRIPTION:** 1.5" SNAP LOCK, MIN. 24 GA. MSG COATED STEEL, 16" MAX WIDTH, SNAP SEAM.
- 2) **PANEL FASTENER:** (2) #12-11 x 1" TYPE A PANCAKE HEAD PER CLIP.
- 3) **PANEL CLIP:** 1500SNS FIXED CLIP
- 4) **MAXIMUM ALLOWABLE PANEL UPLIFT PRESSURE:** 86.0 @ 24" O.C., 108.5 PSF @ 12" O.C., 116.0 PSF @ 6" O.C. PRESSURE BASED ON UL 580/UL 1897 TESTING BY FORCE ENGINEERING TEST REPORT #72-0108T-07A-D.
- 5) **PLYWOOD DECKING:** MIN. 15/32" THICK, APA RATED PLYWOOD, GRADE C-D, PLYWOOD. MUST BE DESIGNED IN ACCORDANCE WITH FBC 2004.



Note: Dimension (a) is defined as 10% of the minimum width of the building or 40% of the mean height of the roof, whichever is smaller, however, (a) cannot be less than either 4% of the minimum width of the building or 3 feet.